

1 2 3 4 5 6

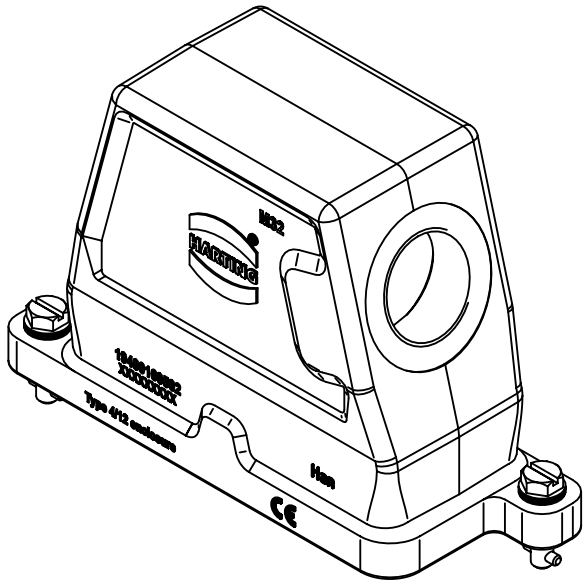
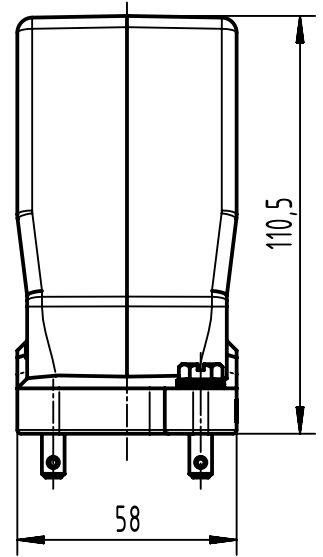
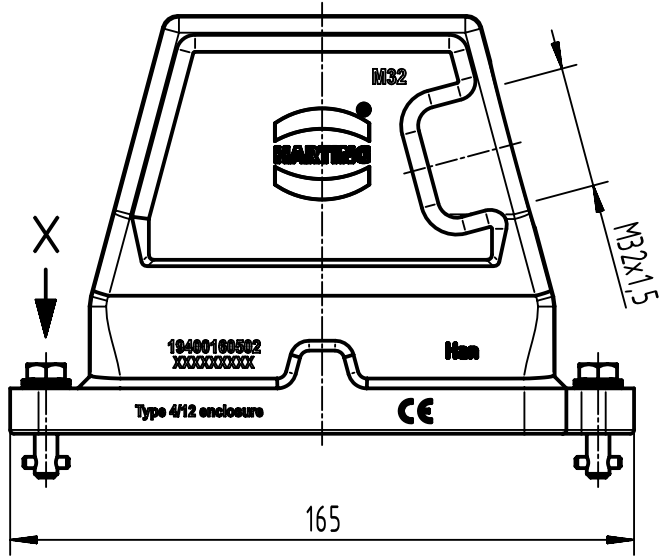
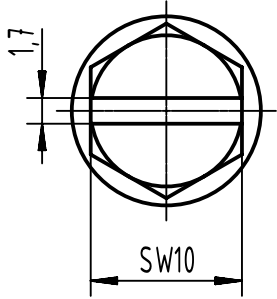
A

B

C

D

x (2:1)



	All Dimensions in mm Original Size DIN A4		Scale 1:2	Free size tol.		Ref.
	All rights reserved Department EL PD		Created by HELLMANN	Inspected by GERB	Standardisation 302077	Sub.
HARTING D-32339 Espelkamp			Title Han 16HPR-gs-KV-M32			Date 2021-01-19
			Type TB Number 19 40 016 0502		State Final Release	Doc-Key / ECM-Nr. 100215015/UGD/004/C 500000178007
					Rev. C	Page 1/1